

# Magnetisch slot voor babyveiligheid

## Productinformatie

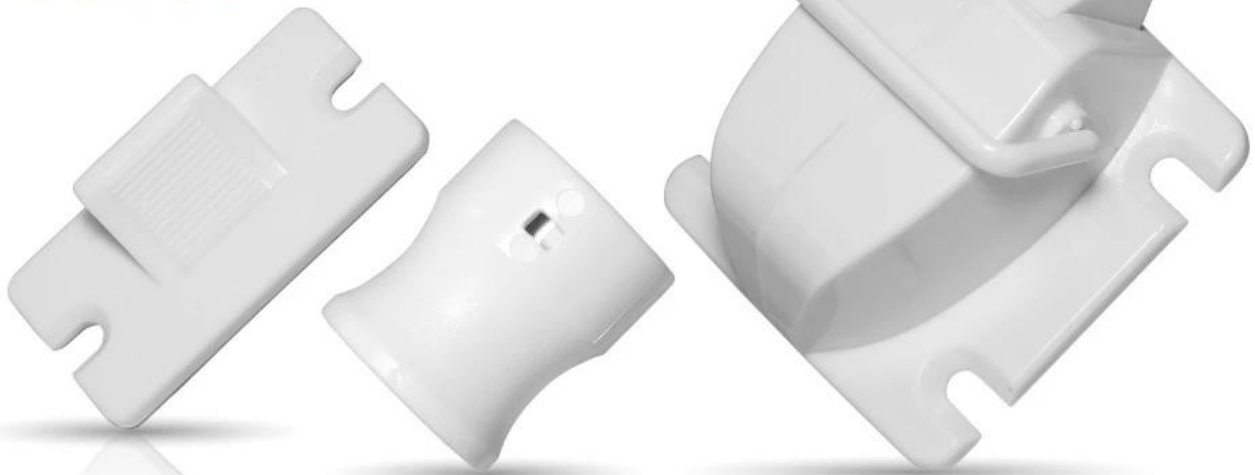
Productnaam	Magnetisch slot voor babyveiligheid
Combinatieset	4 sloten 1 sleutel 8 sloten 2 sleutels (Voor meer informatie kunt u contact met ons opnemen)
Materiaal	ABS magneet
Kleur	Wit
Logo	Accepteer aangepast logo
Functie	Voorkom babyverwondingen
MOQ	Accepteer een kleine bestelling
Monsters	Beschikbaar

Onze magnetische kastsloten voor baby's maken gebruik van sterke 3M-plakband die zelfs de meest vastberaden munchkins kan weerstaan, waardoor uw kleine baby's en uw kasten veilig blijven.

BALANCE



# BABY MAGNETIC SAFETY LOCK



magnetic  
key design



invisible  
from outside



built-in  
installation

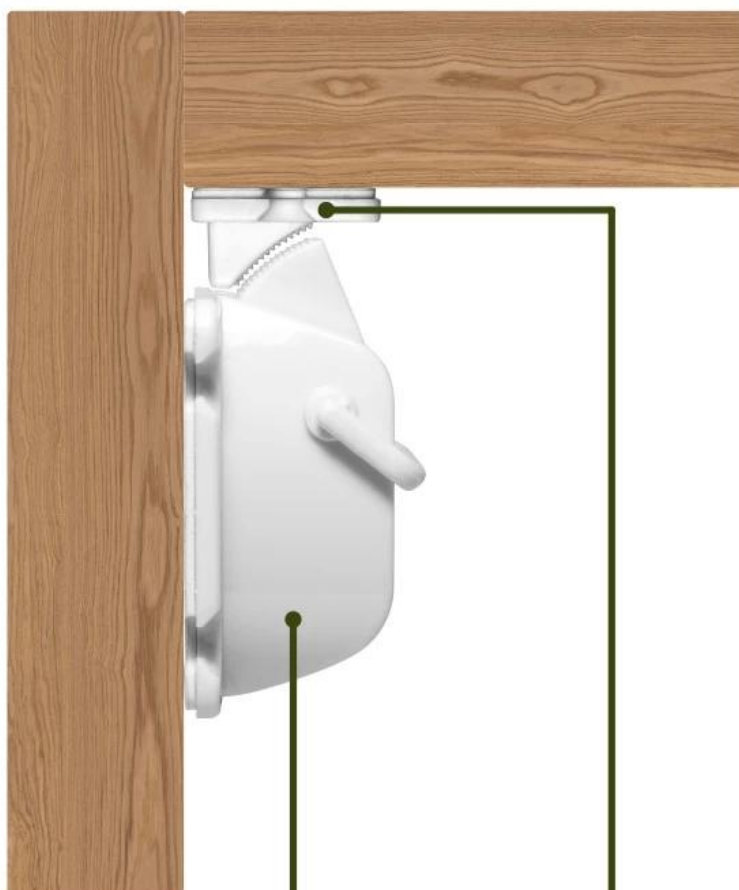
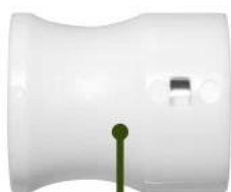


adhesives  
design



normally  
open





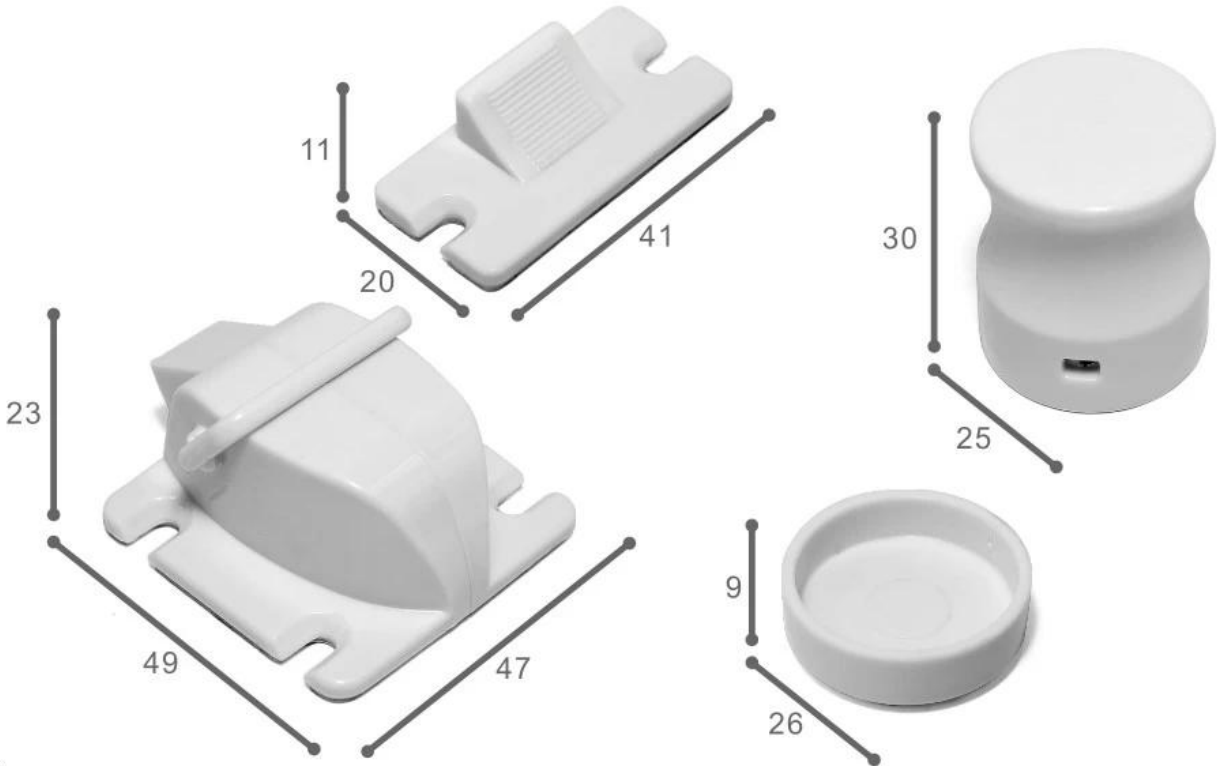
KEY

LOCK

VALVE

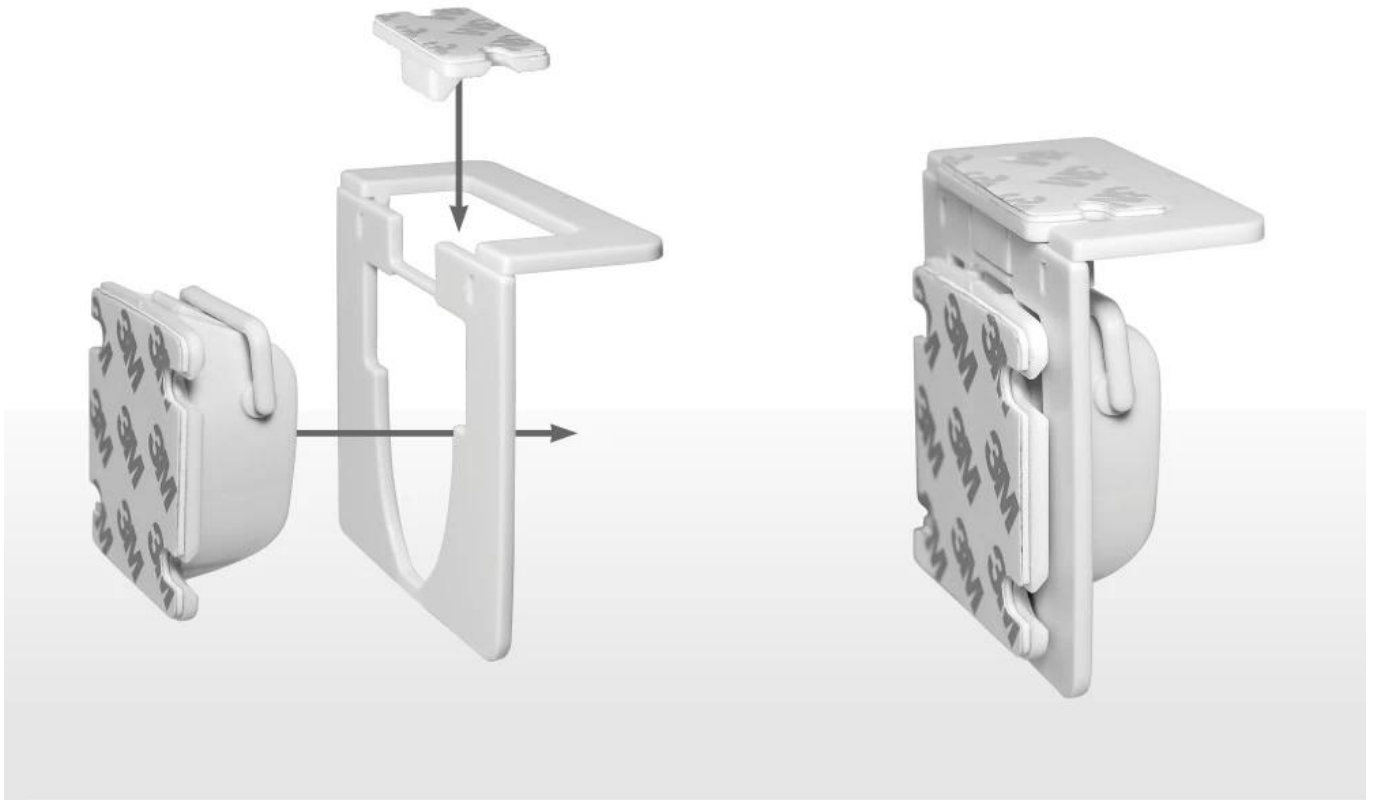
# PRODUCT APPLICATION

Unit: millimeter



Installation aid:





This is a proprietary product developed independently.





paste with double side stickers easy and convenient operation

## 2 Installation Methods



install with screws make it much stronger



drawer



wardrobe



wine cabinets



cabinet



more



## PRODUCT DETAILS



No. 1

### Invisible Design

Unique product design allowing the drawer to be locked invisibly and safely upgraded

No. 2

### Magnetic Key

Strong and long lasting magnetism, small size and suitable for all kinds of furniture





No. 3

### Widely Used

Can be installed at multiple angles, suitable for different parts of various furniture

No. 4

### Normally Open

With a normally open function the baby is not at home and the drawer is free



## Solve The Problem Of Traditional External Security Locks

bedrijfsinformatie



**We have 5000m<sup>2</sup>factory, our own factory**  
**The REAL STRENGTH is to show the true face to you**







# Strict certification testing provides quality guarantee and **WORRY-FREE EXPORT**



We have achieved some inspection certification, such as ISO9001:2015, BSCI, SGS, TUV, etc. and have won the title of “Guangdong Province Credible Enterprise” for three consecutive years. In addition, we have obtained over 20 product patents and trademark, as well as 5 patent evaluation reports. A series of quality inspection reports provide quality guarantee and worry-free export.

# CONTACT INFORMATION

TEL : +80 20 34992808  
+86 18026363923

Web : [www.homecommoditysupplier.com](http://www.homecommoditysupplier.com)

E-mail : [sales02@balance-china.com](mailto:sales02@balance-china.com)

Address : No.2 Shengyuan Street, Beiliu Ind Park, Dagang Town,  
Nansha District, Guangzhou, Guangdong, China

Zip code: 511470