

□□ □□ □□ □□ □□

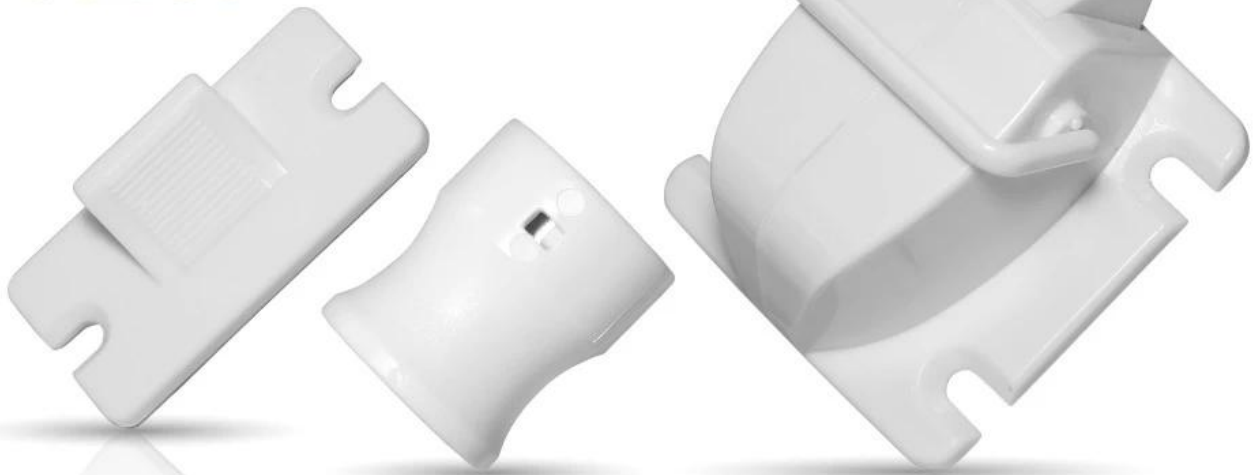
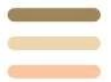
□□□□

□□□	□□ □□ □□ □□ □□
□□ □□	□□□ 4□ □□ 1□ □□□ 8□ □□ 2□ (□□□□ □□□□ □□□□)
□□	ABS □□
□□	□□□□
□□ □□	□□□□ □□□□ □□□□ □□□□□□□□
□□	□□ □□ □□
MOQ	□□ □□□□ □□□□□□
□□	□□ □□

□□□ □□□ □□ □□□ □□ □□□ □□□□ □□ □ □□ □□□ 3M □□ □□□□ □□□□ □□ □□□ □□□□ □□□□ □□□□ □□□□□□.

BALANCE

BABY MAGNETIC SAFETY LOCK



magnetic key design



invisible from outside



built-in installation

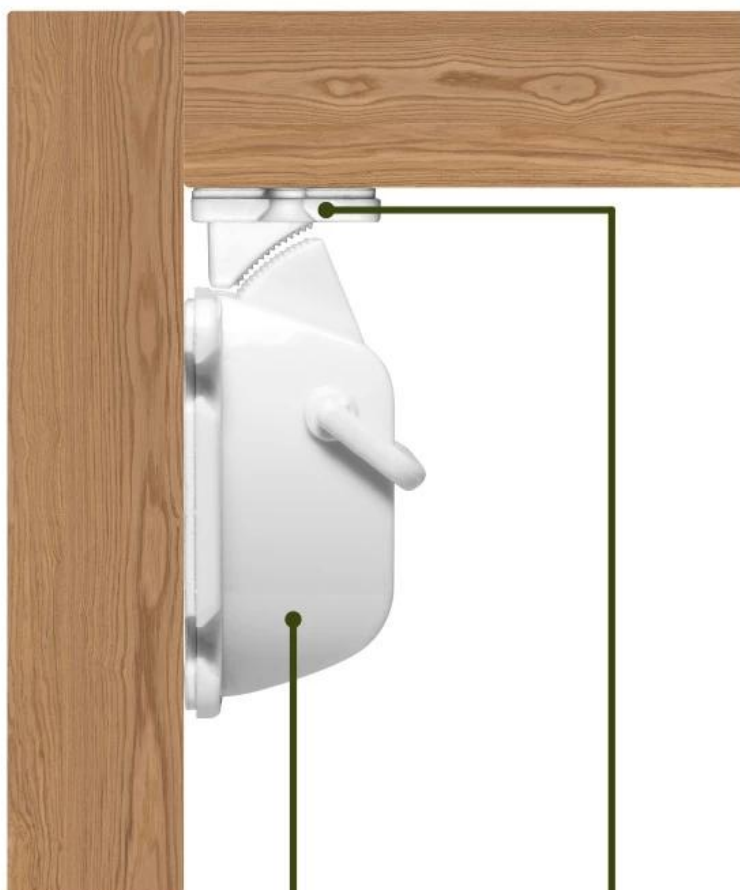
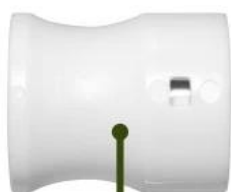


adhesives design



normally open





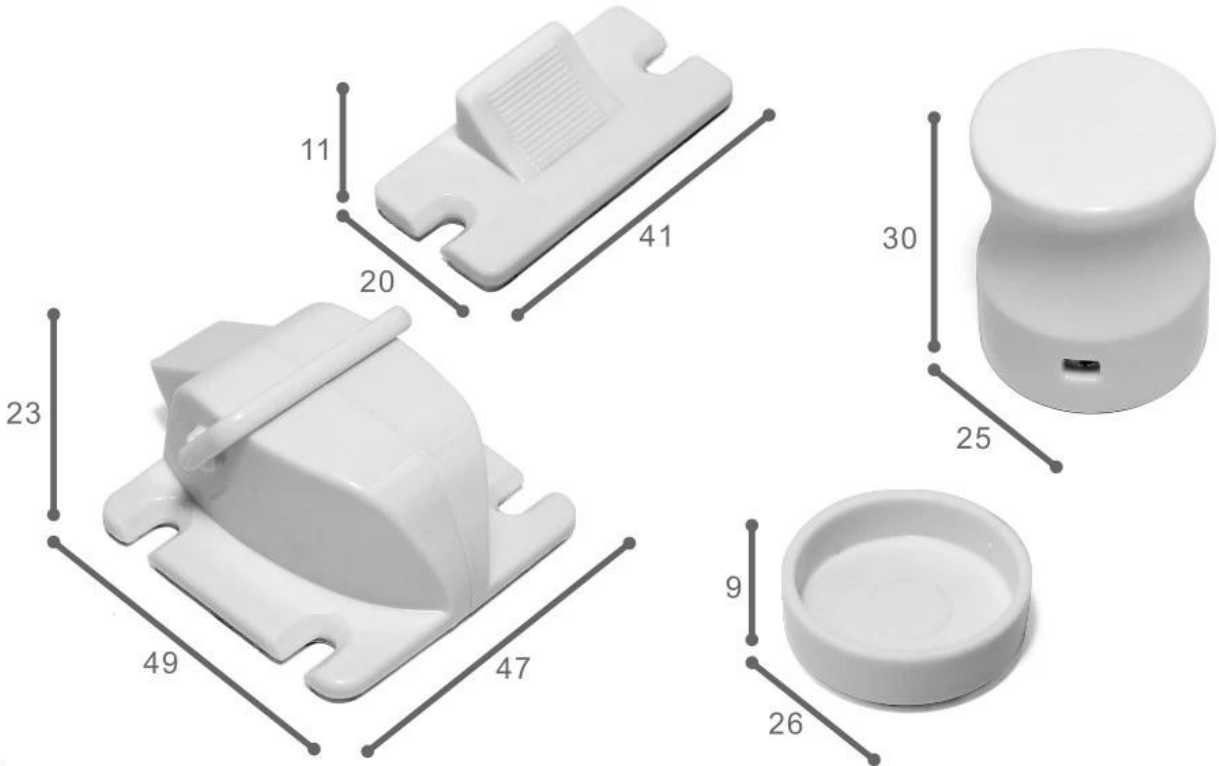
KEY

LOCK

VALVE

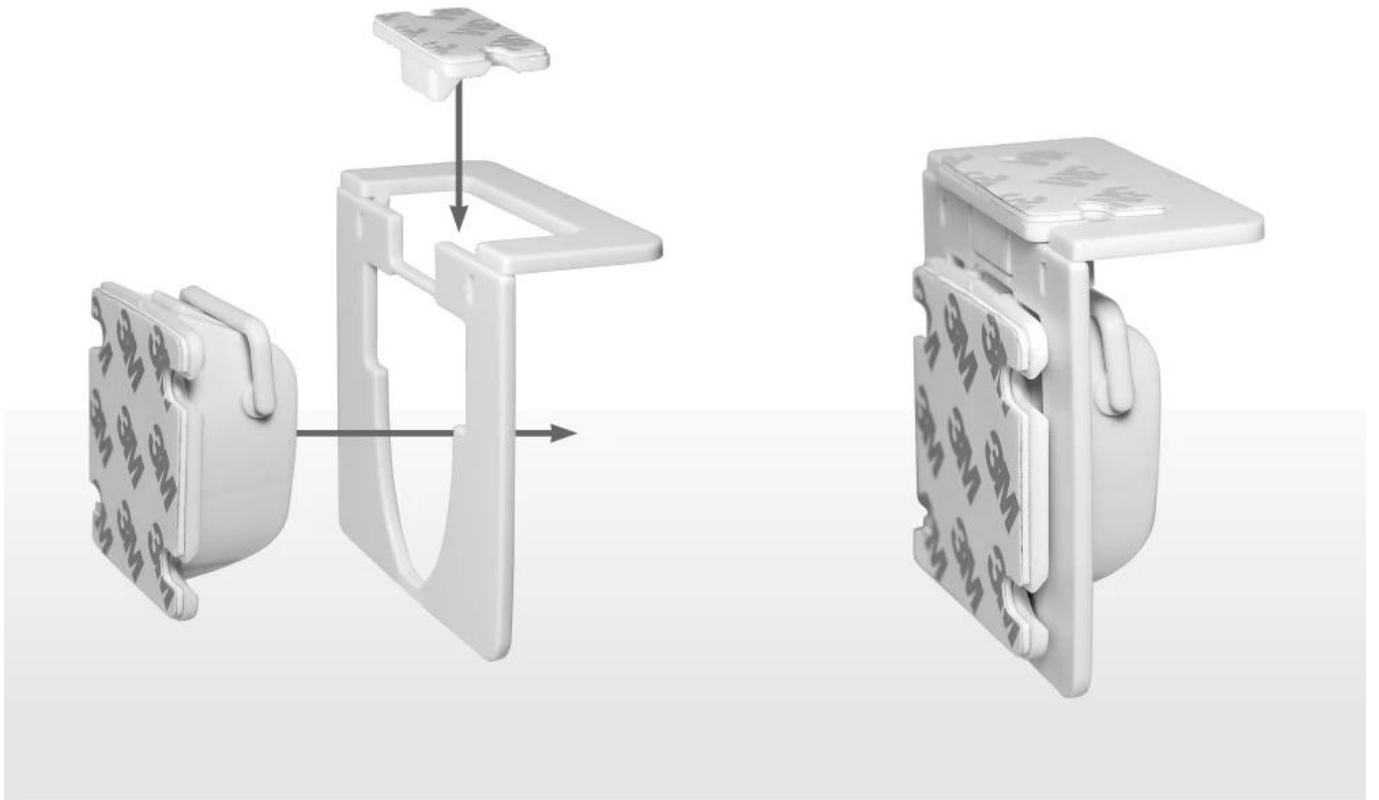
PRODUCT APPLICATION

Unit: millimeter



Installation aid:





This is a proprietary product developed independently.





paste with double side stickers easy and convenient operation

2 Installation Methods



install with screws make it much stronger



drawer



wardrobe



wine cabinets



cabinet



more



PRODUCT DETAILS



No. 1

Invisible Design

Unique product design allowing the drawer to be locked invisibly and safely upgraded

No. 2

Magnetic Key

Strong and long lasting magnetism, small size and suitable for all kinds of furniture





No. 3

Widely Used

Can be installed at multiple angles, suitable for different parts of various furniture

No. 4

Normally Open

With a normally open function the baby is not at home and the drawer is free



Solve The Problem Of Traditional External Security Locks

□□ □□



We have 5000m²factory, our own factory
The REAL STRENGTH is to show the true face to you





Strict certification testing provides quality guarantee and **WORRY-FREE EXPORT**



We have achieved some inspection certification, such as ISO9001:2015, BSCI, SGS, TUV, etc. and have won the title of “Guangdong Province Credible Enterprise” for three consecutive years. In addition, we have obtained over 20 product patents and trademark, as well as 5 patent evaluation reports. A series of quality inspection reports provide quality guarantee and worry-free export.

CONTACT INFORMATION

TEL : +80 20 34992808
+86 18026363923

Web : www.homecommoditysupplier.com

E-mail : sales02@balance-china.com

Address : No.2 Shengyuan Street, Beiliu Ind Park, Dagang Town,
Nansha District, Guangzhou, Guangdong, China

Zip code: 511470