

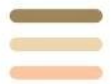
Cerradura magnética de seguridad para bebés

Información del Producto

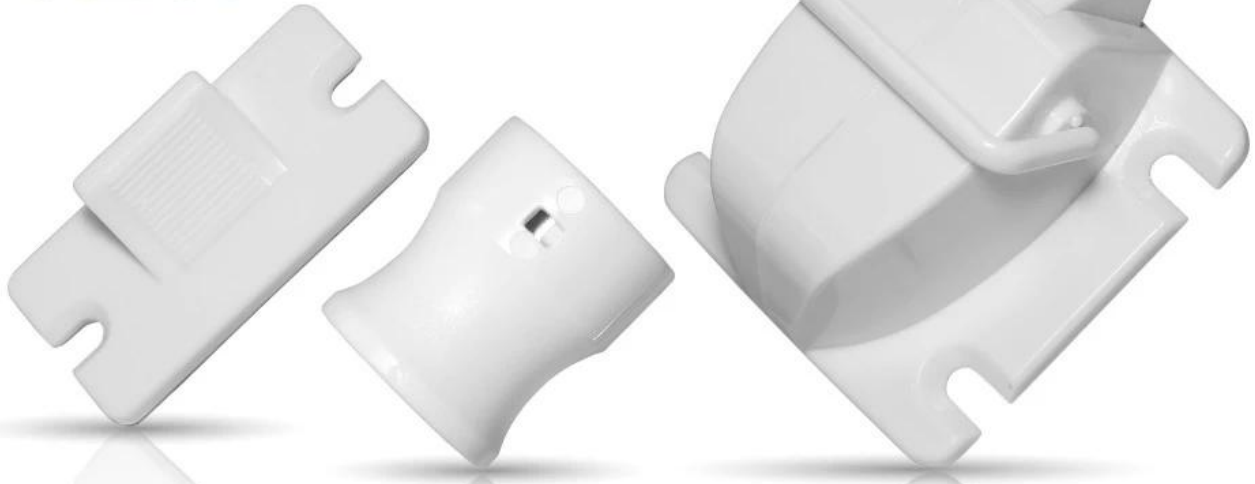
| | |
|----------------------------------|--|
| Nombre del producto | Cerradura magnética de seguridad para bebés |
| Conjunto combinado | 4 cerraduras 1 llave 8 cerraduras 2 llaves (Para más detalles, por favor contáctenos) |
| Material | ABSImán |
| Color | Blanco |
| Logo | Aceptar logotipo personalizado |
| Función | Prevenir lesiones del bebé |
| Cantidad mínima de pedido | Aceptar pedido pequeño |
| Muestras | Disponible |

Nuestras cerraduras magnéticas para gabinetes para bebés utilizan una fuerte cinta adhesiva 3M que puede resistir incluso a los munchkins más decididos, manteniendo a sus pequeños bebés seguros y a sus gabinetes seguros.

BALANCE



BABY MAGNETIC SAFETY LOCK



magnetic
key design



invisible
from outside



built-in
installation

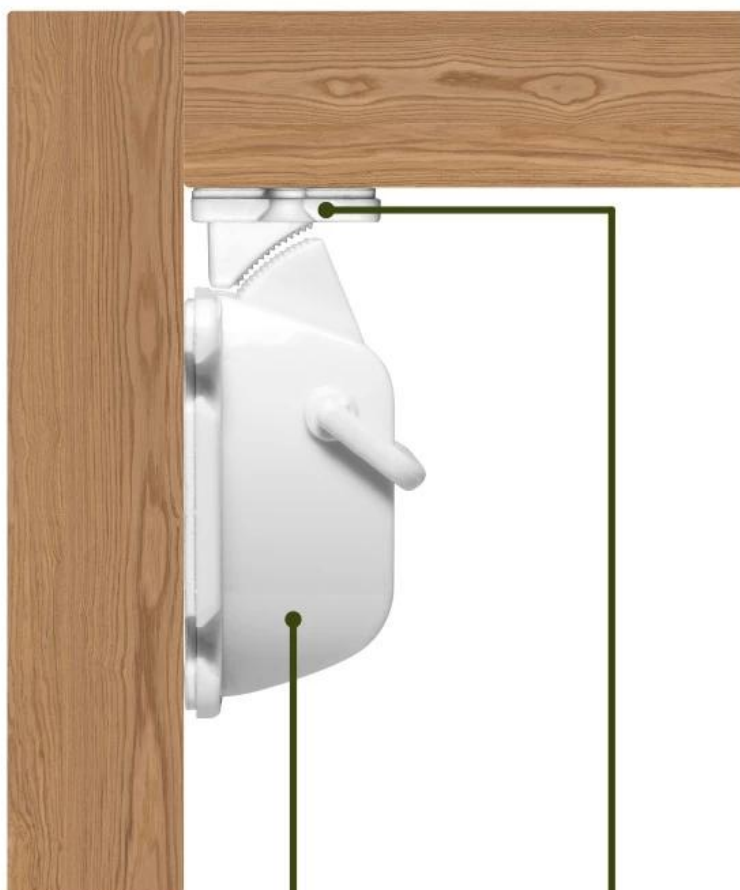
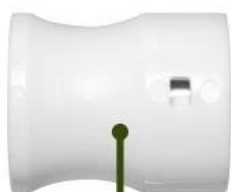


adhesives
design



normally
open





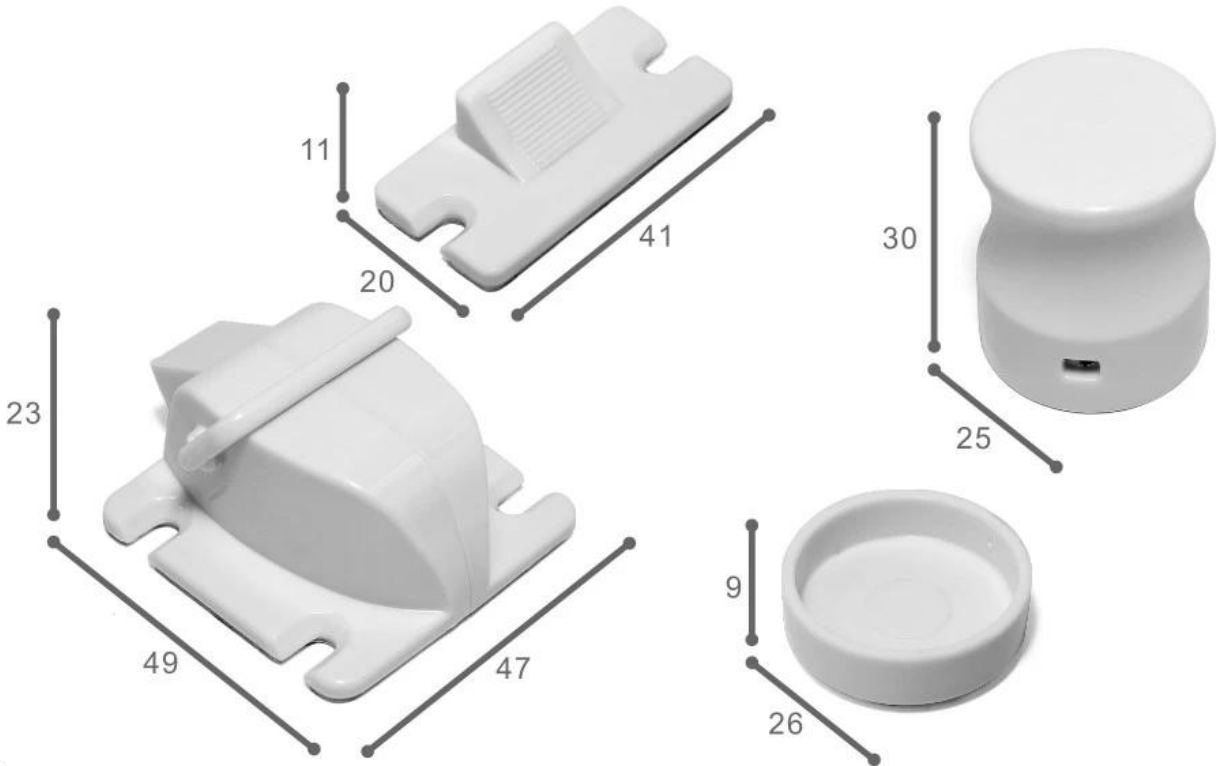
KEY

LOCK

VALVE

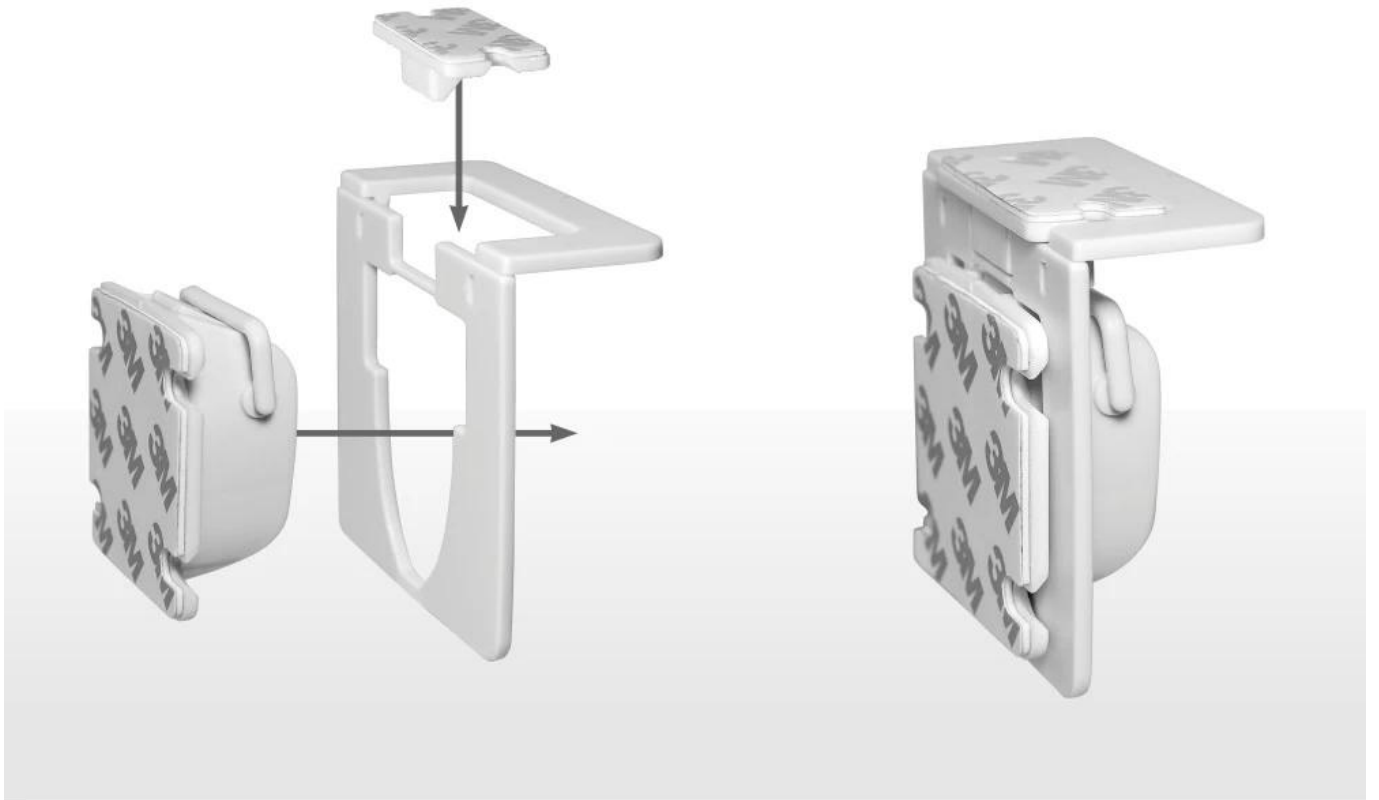
PRODUCT APPLICATION

Unit: millimeter



Installation aid:





This is a proprietary product developed independently.





2 Installation Methods



paste with double side stickers easy and convenient operation



install with screws make it much stronger



drawer



wardrobe



wine cabinets



cabinet



more



PRODUCT DETAILS



No. 1

Invisible Design

Unique product design allowing the drawer to be locked invisibly and safely upgraded

No. 2

Magnetic Key

Strong and long lasting magnetism, small size and suitable for all kinds of furniture





No. 3

Widely Used

Can be installed at multiple angles, suitable for different parts of various furniture

No. 4

Normally Open

With a normally open function the baby is not at home and the drawer is free



Solve The Problem Of Traditional External Security Locks

Información de la empresa



We have 5000m²factory, our own factory
The REAL STRENGTH is to show the true face to you





Strict certification testing provides quality guarantee and **WORRY-FREE EXPORT**



We have achieved some inspection certification, such as ISO9001:2015, BSCI, SGS, TUV, etc. and have won the title of “Guangdong Province Credible Enterprise” for three consecutive years. In addition, we have obtained over 20 product patents and trademark, as well as 5 patent evaluation reports. A series of quality inspection reports provide quality guarantee and worry-free export.

CONTACT INFORMATION

TEL : +80 20 34992808
+86 18026363923

Web : www.homecommoditysupplier.com

E-mail : sales02@balance-china.com

Address : No.2 Shengyuan Street, Beiliu Ind Park, Dagang Town,
Nansha District, Guangzhou, Guangdong, China

Zip code: 511470