

قفل مغناطيسي لسلامة الطفل

معلومات المنتج

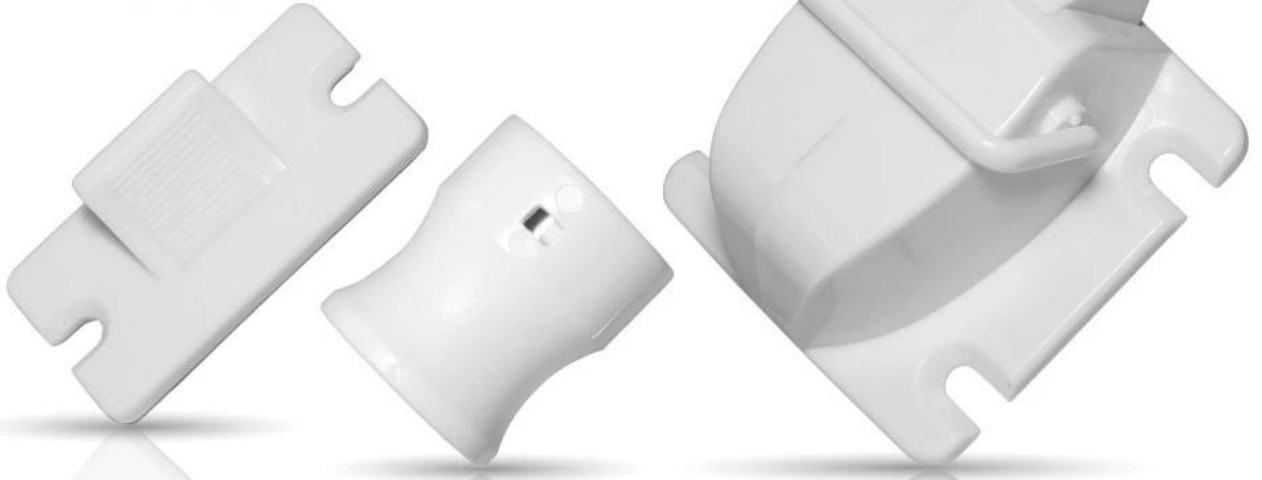
اسم المنتج	قفل مغناطيسي لسلامة الطفل
مجموعة الجمع	أقفال 1 مفتاح 4 (8 أقفال 2 مفتاح (المزيد من التفاصيل، يرجى الاتصال بنا
مادة	عيس المغناطيس
لون	أبيض
شعار	قبول الشعار المخصص
وظيفة	منع إصابات الطفل
موك	قبول الطلب الصغير
عينات	مفتاح

يمكنه تحمل حتى أكثر أنواع المانشكينز M تستخدم أقفال الخزنة المغناطيسية للأطفال شريطاً لاصقاً قوياً بطول 3 تصميمًا، مما يحافظ على سلامة أطفالك الصغار وخزانتك آمنة.

BALANCE



BABY MAGNETIC SAFETY LOCK



magnetic
key design



invisible
from outside



built-in
installation

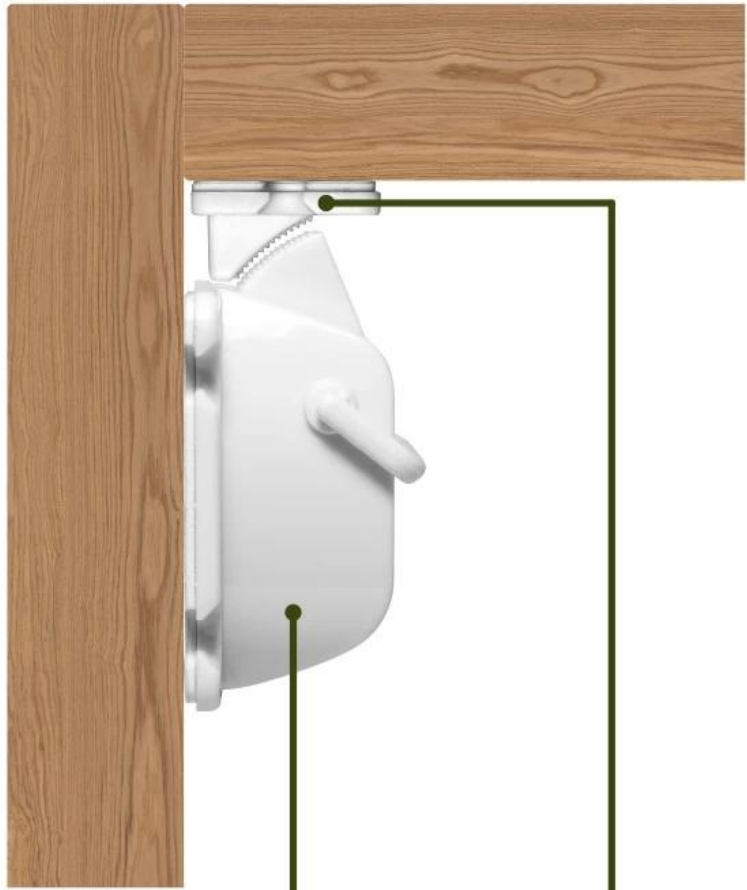


adhesives
design



normally
open





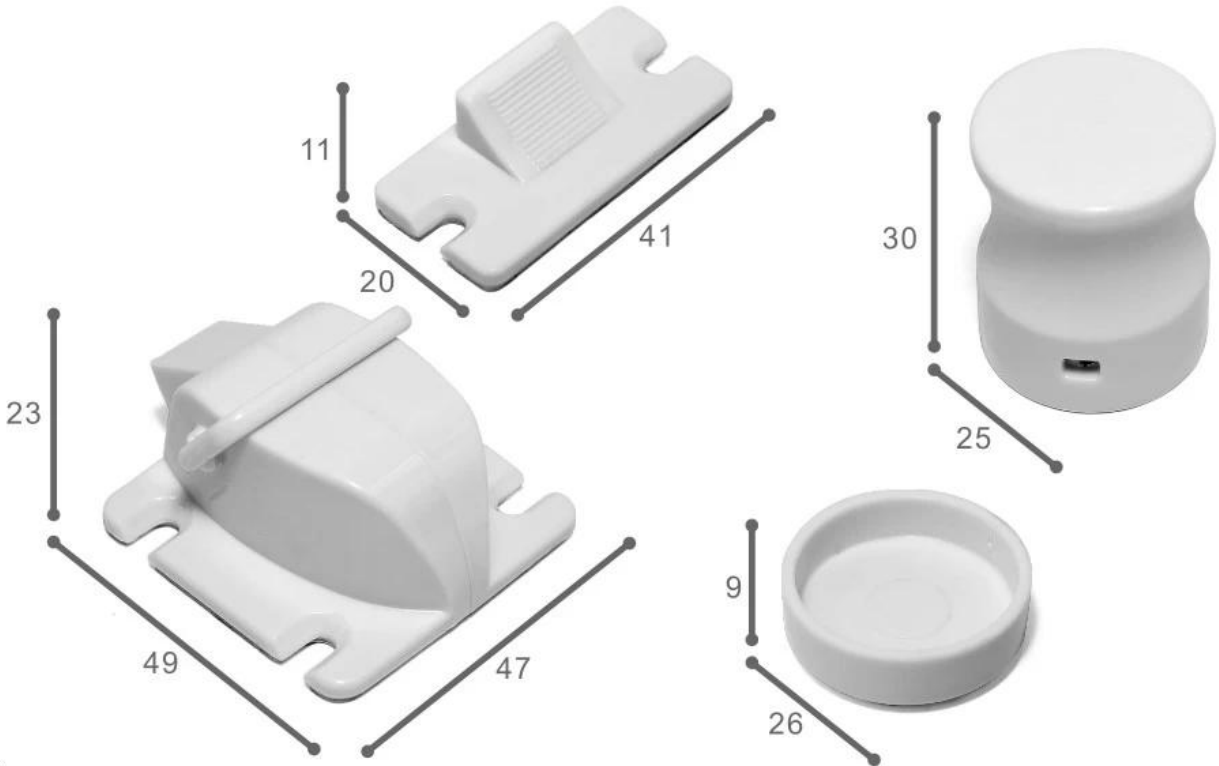
KEY

LOCK

VALVE

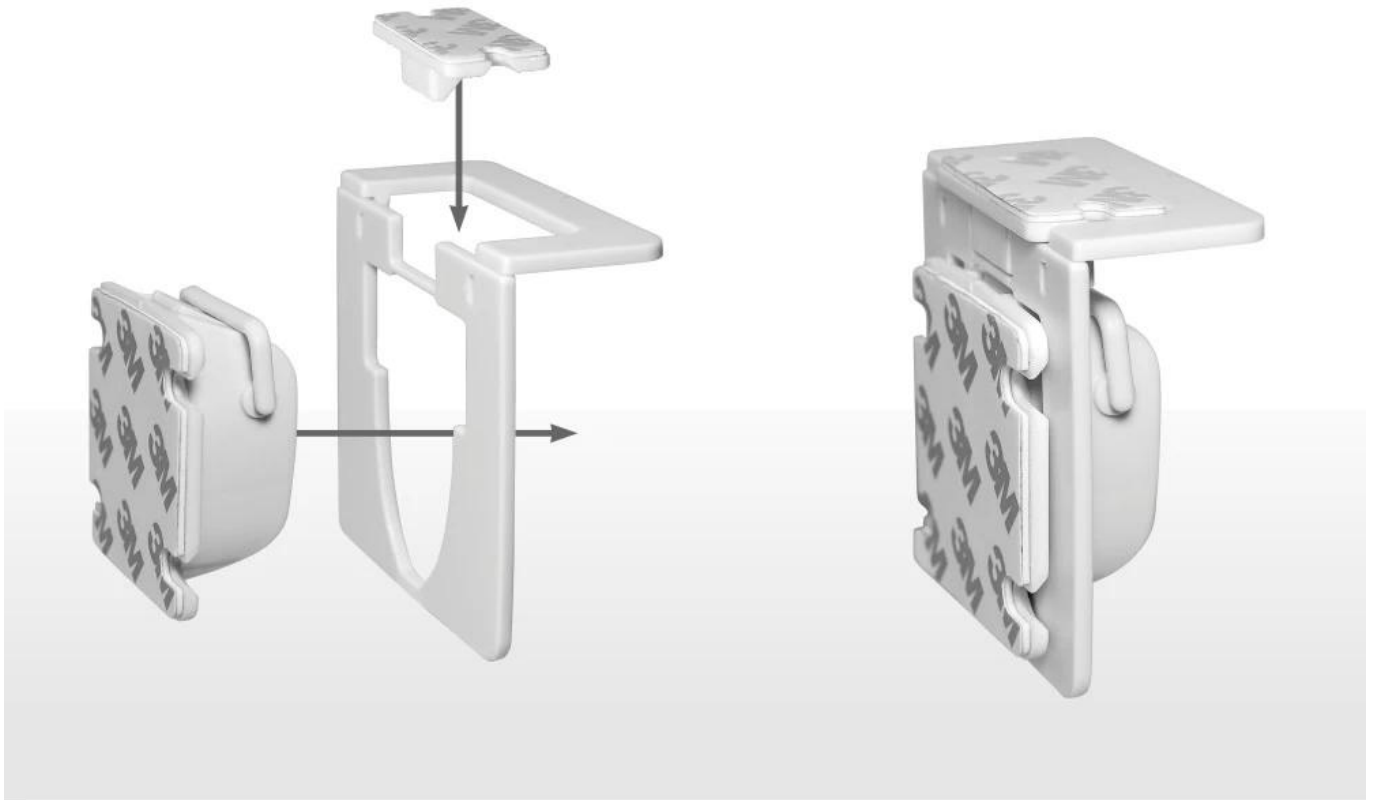
PRODUCT APPLICATION

Unit: millimeter



Installation aid:





This is a proprietary product developed independently.





paste with double side stickers easy and convenient operation

2 Installation Methods



install with screws make it much stronger



drawer



wardrobe



wine cabinets



cabinet



more



PRODUCT DETAILS



No. 1

Invisible Design

Unique product design allowing the drawer to be locked invisibly and safely upgraded

No. 2

Magnetic Key

Strong and long lasting magnetism, small size and suitable for all kinds of furniture





No. 3

Widely Used

Can be installed at multiple angles, suitable for different parts of various furniture

No. 4

Normally Open

With a normally open function the baby is not at home and the drawer is free



Solve The Problem Of Traditional External Security Locks

معلومات الشركة



We have 5000m²factory, our own factory
The REAL STRENGTH is to show the true face to you





Strict certification testing provides quality guarantee and **WORRY-FREE EXPORT**



We have achieved some inspection certification, such as ISO9001:2015, BSCI, SGS, TUV, etc. and have won the title of “Guangdong Province Credible Enterprise” for three consecutive years. In addition, we have obtained over 20 product patents and trademark, as well as 5 patent evaluation reports. A series of quality inspection reports provide quality guarantee and worry-free export.

CONTACT INFORMATION

TEL : +80 20 34992808
+86 18026363923

Web : www.homecommoditysupplier.com

E-mail : sales02@balance-china.com

Address : No.2 Shengyuan Street, Beiliu Ind Park, Dagang Town,
Nansha District, Guangzhou, Guangdong, China

Zip code: 511470