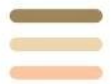
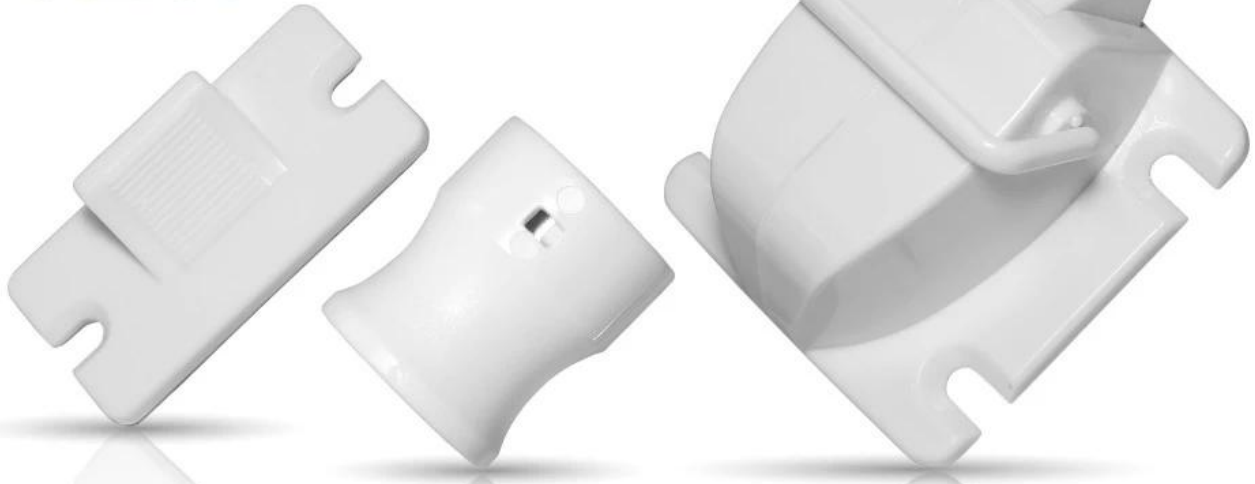




BALANCE



# BABY MAGNETIC SAFETY LOCK



magnetic  
key design



invisible  
from outside



built-in  
installation

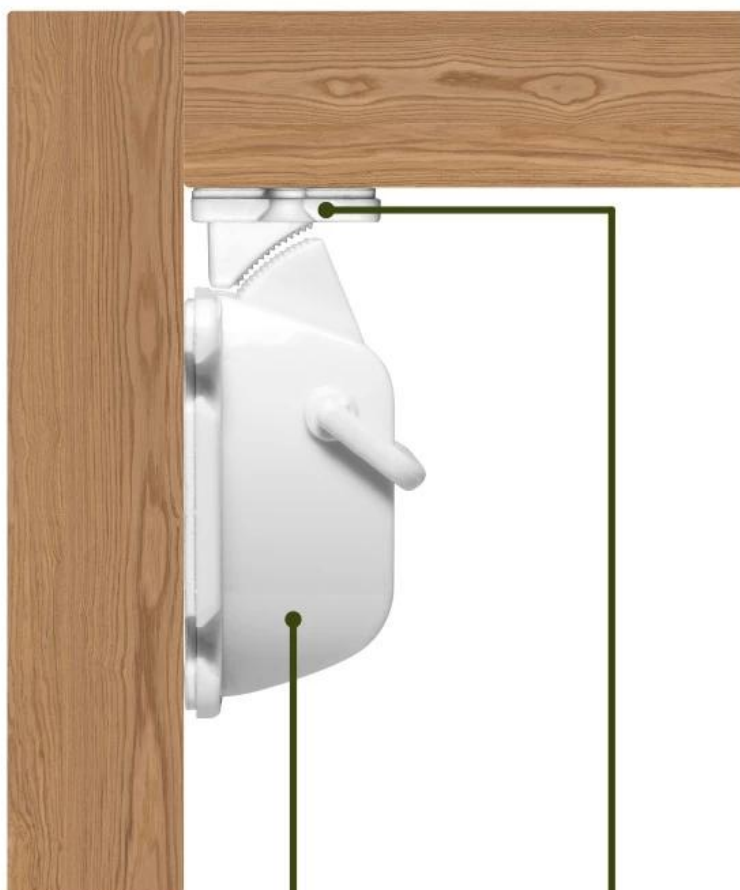
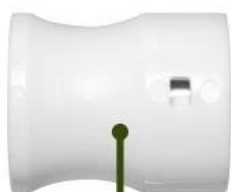


adhesives  
design



normally  
open





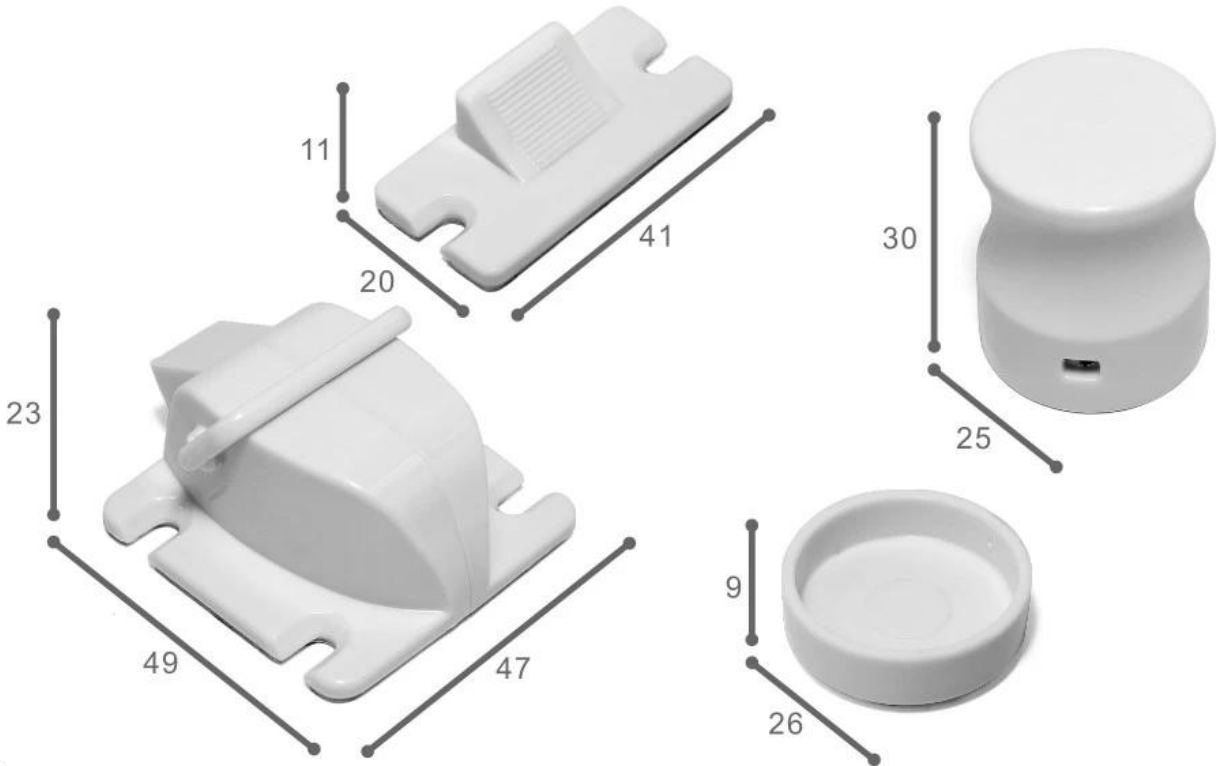
KEY

LOCK

VALVE

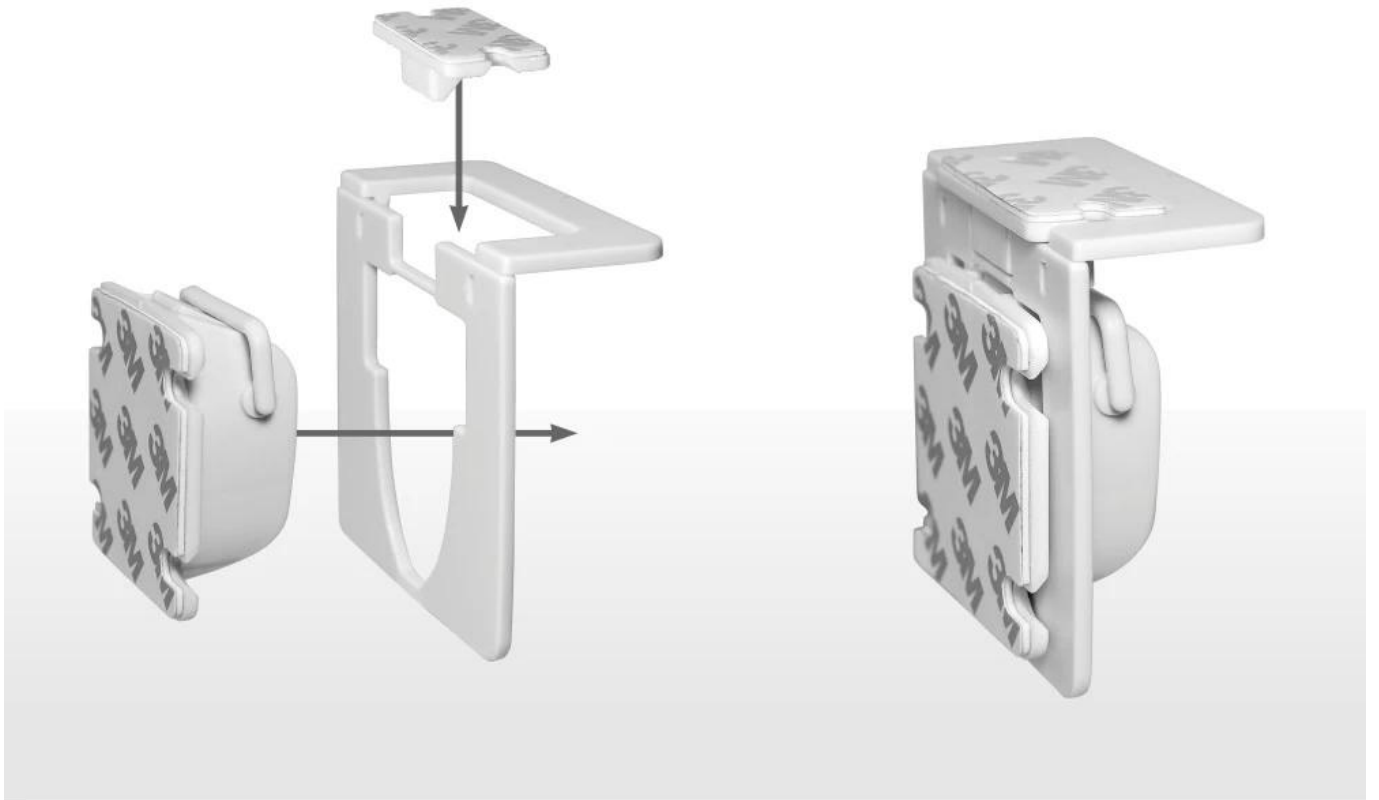
# PRODUCT APPLICATION

Unit: millimeter



Installation aid:





This is a proprietary product developed independently.





paste with double side stickers easy and convenient operation

## 2 Installation Methods



install with screws make it much stronger



drawer



wardrobe



wine cabinets



cabinet



more





## PRODUCT DETAILS



No. 1

### Invisible Design

Unique product design allowing the drawer to be locked invisibly and safely upgraded

No. 2

### Magnetic Key

Strong and long lasting magnetism, small size and suitable for all kinds of furniture





No. 3

### Widely Used

Can be installed at multiple angles, suitable for different parts of various furniture

No. 4

### Normally Open

With a normally open function the baby is not at home and the drawer is free



## Solve The Problem Of Traditional External Security Locks







**We have 5000m<sup>2</sup>factory, our own factory**  
**The REAL STRENGTH is to show the true face to you**







# Strict certification testing provides quality guarantee and **WORRY-FREE EXPORT**



We have achieved some inspection certification, such as ISO9001:2015, BSCI, SGS, TUV, etc. and have won the title of “Guangdong Province Credible Enterprise” for three consecutive years. In addition, we have obtained over 20 product patents and trademark, as well as 5 patent evaluation reports. A series of quality inspection reports provide quality guarantee and worry-free export.

# CONTACT INFORMATION

TEL : +80 20 34992808  
+86 18026363923

Web : [www.homecommoditysupplier.com](http://www.homecommoditysupplier.com)

E-mail : [sales02@balance-china.com](mailto:sales02@balance-china.com)

Address : No.2 Shengyuan Street, Beiliu Ind Park, Dagang Town,  
Nansha District, Guangzhou, Guangdong, China

Zip code: 511470