

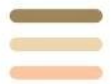
Cerradura magnética de seguridad para bebés

Información del Producto

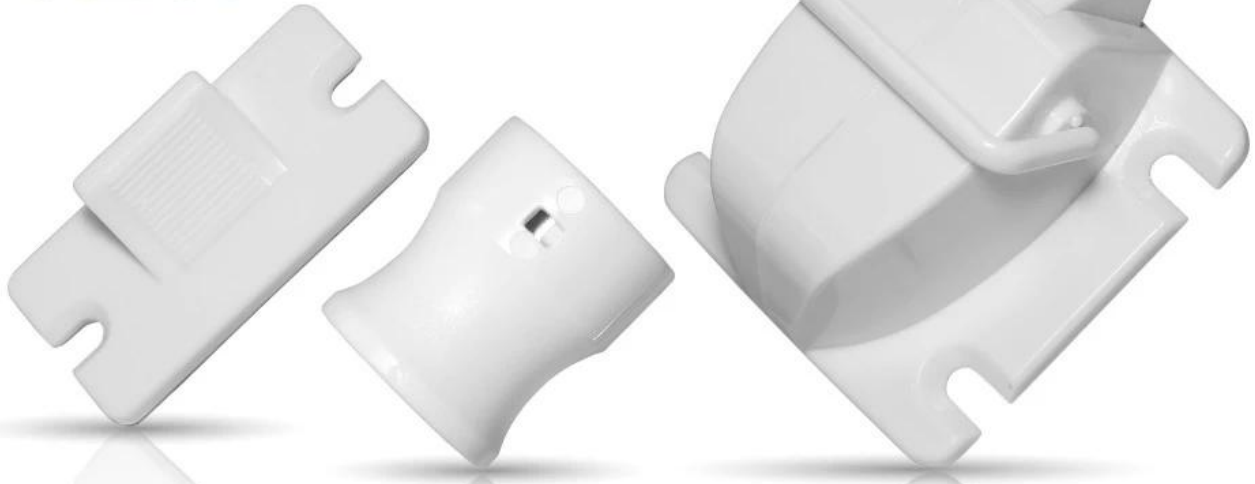
Nombre del producto	Cerradura magnética de seguridad para bebés
Conjunto combinado	4 cerraduras 1 llave 8 cerraduras 2 llaves (Para más detalles, por favor contáctenos)
Material	ABSImán
Color	Blanco
Logo	Aceptar logotipo personalizado
Función	Prevenir lesiones del bebé
Cantidad mínima de pedido	Aceptar pedido pequeño
Muestras	Disponible

Nuestras cerraduras magnéticas para gabinetes para bebés utilizan una cinta adhesiva fuerte que puede resistir incluso a los munchkins más decididos, manteniendo a sus pequeños bebés seguros y a sus gabinetes seguros. Como [Proveedor de cerraduras magnéticas para gabinetes de China](#), nuestra visión es que la buena calidad del producto puede brindar una buena experiencia a los clientes.

BALANCE



BABY MAGNETIC SAFETY LOCK



magnetic
key design



invisible
from outside



built-in
installation

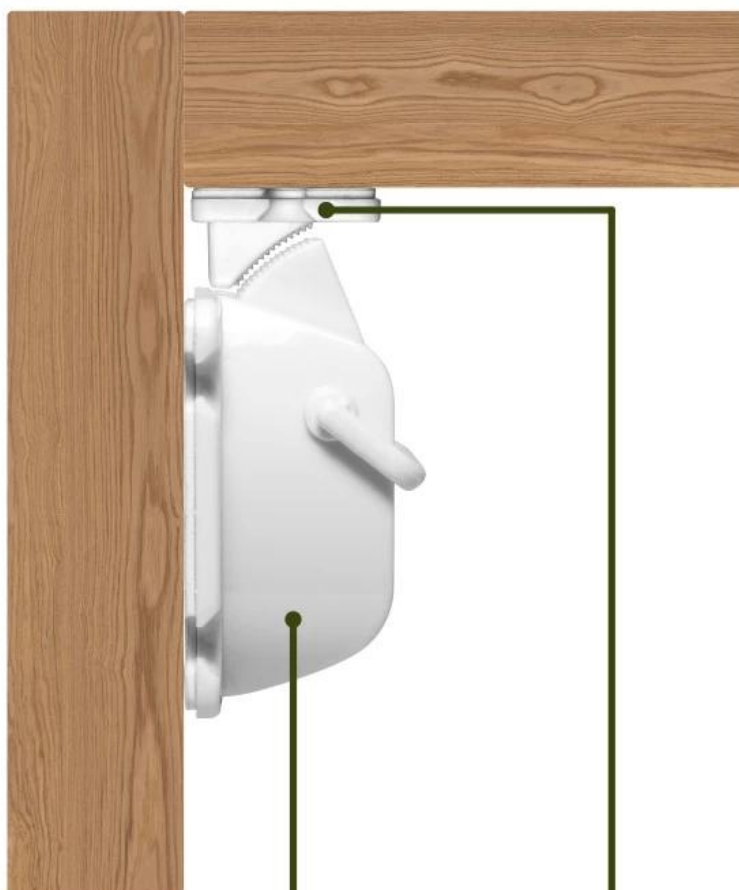
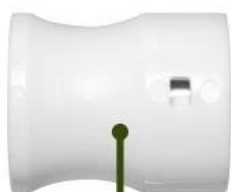


adhesives
design



normally
open





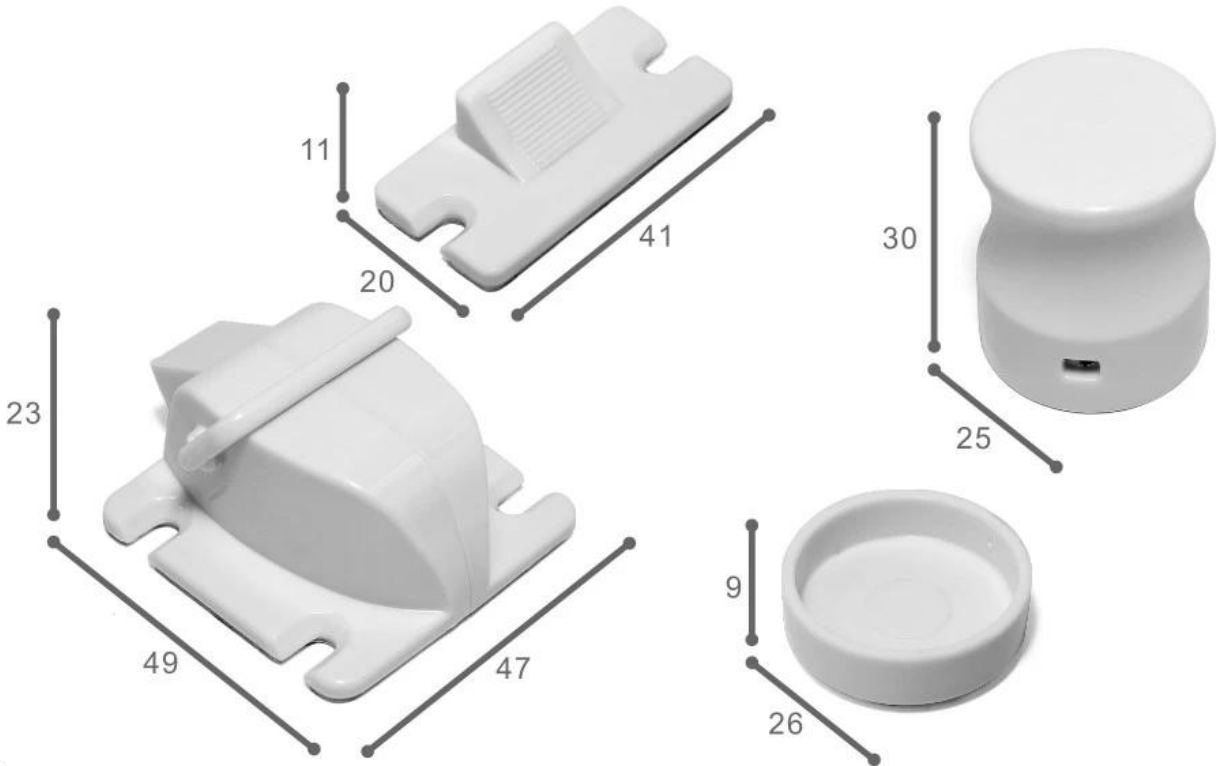
KEY

LOCK

VALVE

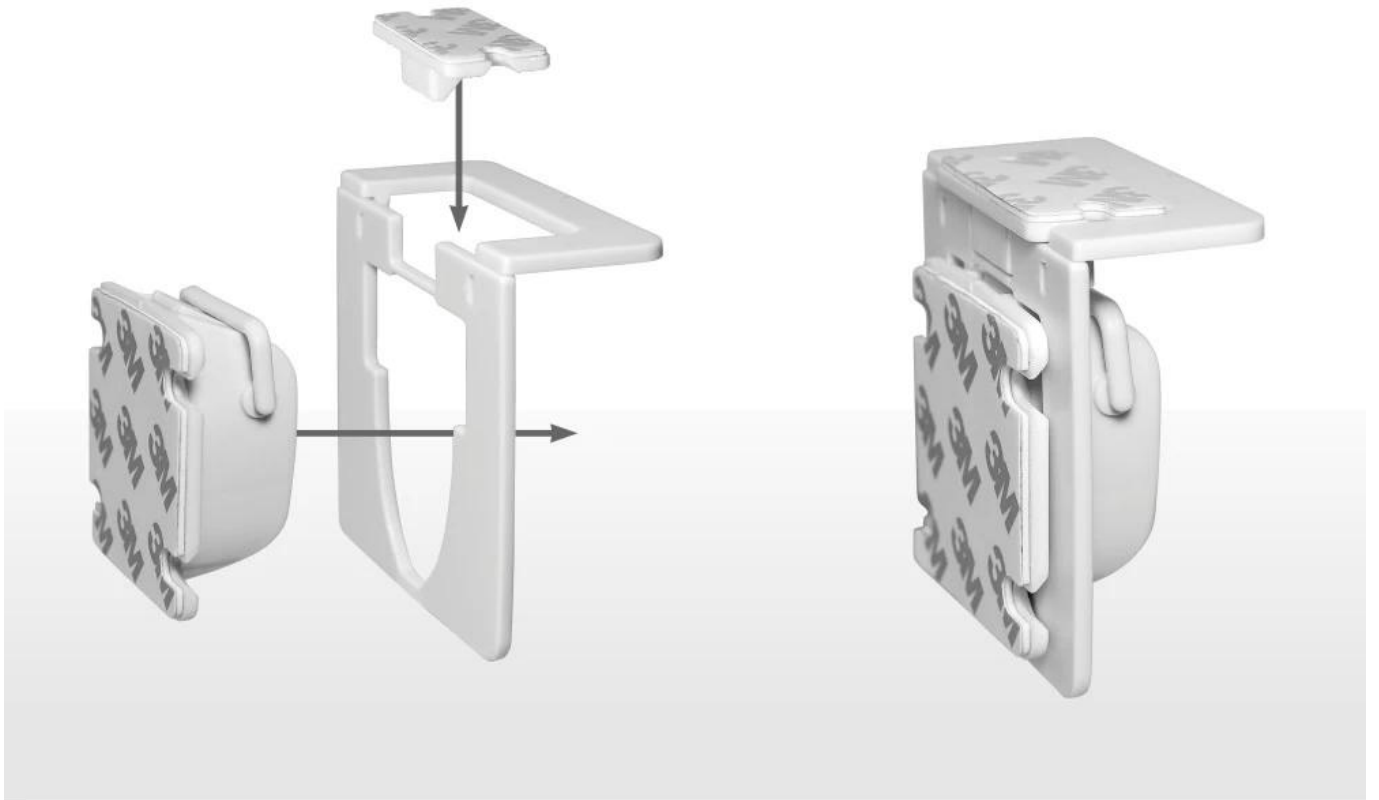
PRODUCT APPLICATION

Unit: millimeter



Installation aid:





This is a proprietary product developed independently.





paste with double side stickers easy and convenient operation

2 Installation Methods



install with screws make it much stronger



drawer



wardrobe



wine cabinets



cabinet



more



PRODUCT DETAILS



No. 1

Invisible Design

Unique product design allowing the drawer to be locked invisibly and safely upgraded

No. 2

Magnetic Key

Strong and long lasting magnetism, small size and suitable for all kinds of furniture





No. 3

Widely Used

Can be installed at multiple angles, suitable for different parts of various furniture

No. 4

Normally Open

With a normally open function the baby is not at home and the drawer is free



Solve The Problem Of Traditional External Security Locks

Información de la empresa



We have 5000m²factory, our own factory
The REAL STRENGTH is to show the true face to you





Strict certification testing provides quality guarantee and **WORRY-FREE EXPORT**



We have achieved some inspection certification, such as ISO9001:2015, BSCI, SGS, TUV, etc. and have won the title of “Guangdong Province Credible Enterprise” for three consecutive years. In addition, we have obtained over 20 product patents and trademark, as well as 5 patent evaluation reports. A series of quality inspection reports provide quality guarantee and worry-free export.

CONTACT INFORMATION

TEL : +80 20 34992808
+86 18026363923

Web : www.homecommoditysupplier.com

E-mail : sales02@balance-china.com

Address : No.2 Shengyuan Street, Beiliu Ind Park, Dagang Town,
Nansha District, Guangzhou, Guangdong, China

Zip code: 511470